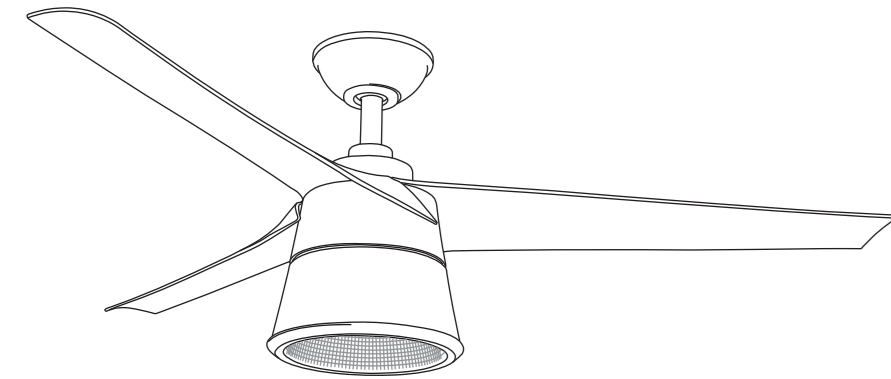


Read and save these instructions



Questions, problems, missing parts? Before returning to your retailer, call our customer service department at 855-817-WIND (9463) 8 a.m. - 5 p.m., EST, Monday-Friday E-mail: service@windriver.com



WR1638 SERIES

Speed	Volts	Amps	Watts	RPM	CFM	N.W.	G.W.	C.F.
Low	120	0.247	14.8	80	2821	6.63 kgs (14.59 lbs)	7.76 kgs (17.07 lbs)	1.80 ft.
Medium		0.362	31.2	121	4323			
High		0.489	58.4	168	5900			

NOTE: These are approximate measures. They do not include amps and wattage used by the light kit.

Safety tips

- To reduce the risk of electric shock, ensure electricity has been turned off at the circuit breaker or fuse box before beginning.
- All wiring must be in accordance with the National Electrical Code "ANSI/NFPA 70-1999" and local electrical codes. Electrical installation should be performed by a qualified licensed electrician.
- The outlet box and support structure must be securely mounted and capable of reliably supporting a minimum of 35 lbs. Use only UL Listed outlet boxes marked "FOR FAN SUPPORT."
- The fan must be mounted with a minimum of 7 ft. clearance from the trailing edge of the blades to the floor.
- After making electrical connections, spliced conductors should be turned upward and pushed carefully up into the outlet box. The wires should be spread apart with the grounded conductor and the equipment-grounding conductor on one side of the outlet box and ungrounded conductor on the other side of the outlet box.
- All setscrews must be checked and retightened where necessary before installation.

WARNING: To reduce the risk of electrical shock or fire, do not use this fan with any solid-state fan speed control device. Please contact with dealer or Wind River at 855-817-WIND (9463) if using solid-state remote.

WARNING: To reduce the risk of fire, electric shock, or personal injury, mount the fan to the outlet box marked acceptable for fan support with the screws provided with the outlet box.

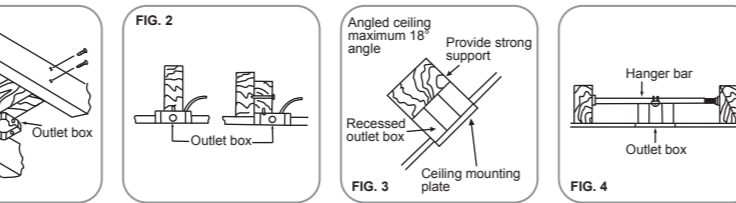
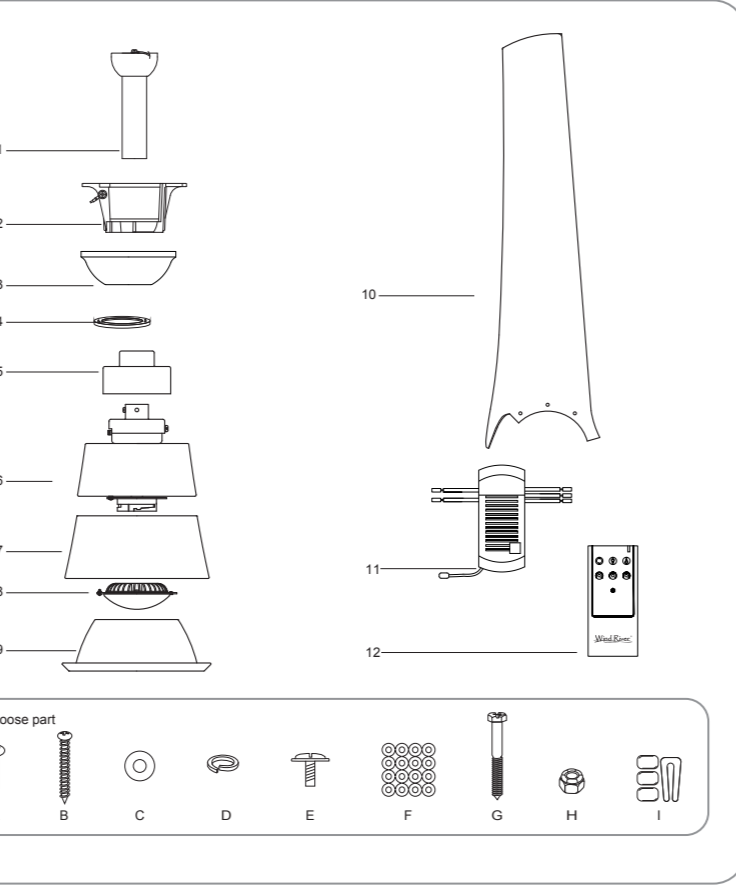
Package contents

- Unpack your fan and check the contents. See page 2. You should have the following items:
- Downrod assembly (1)
 - Mounting bracket (1)
 - Canopy (1)
 - Canopy cover (1)
 - Coupling cover (1)
 - Fan motor assembly (1)
 - Light kit plate (1)
 - 17W LED assembly (1)
 - Light shade (1)
 - Blade (3)
 - Receiver with 6 wire nuts (1)
 - Transmitter + holder + 2mounting screws + A23 12 volt battery (1)
 - Loose parts bag containing:
 - A: Machine screw (2)
 - B: Wood screw (2)
 - C: Metal washer (2)
 - D: Lock washer (2)
 - E: Blade screw (10)
 - F: Fiber washer (10)
 - G: Safety bolt (1)
 - H: Nut (1)
 - I: Balancing kit (1)

Begin installation

Tools Required: Phillips screw driver; slotted screw driver; pliers; wire cutters; electrical tape.

MOUNTING OPTIONS
If there isn't an existing outlet box, then read the following instructions. Shut the power off at the circuit breaker or fuse box. Secure the outlet box directly to the building structure. Use appropriate fasteners and building materials. Only use a U.L. Listed metal outlet box marked "Acceptable for ceiling fan support" to install the ceiling fan. Do not use a plastic outlet box or other device. Figures 1, 2 and 3 are examples of different ways to mount the outlet box. Note: Please contact with dealer or Wind River at 855-817-WIND (9463) if you need a longer downrod to maintain proper blade clearance when installing on a steep, sloped ceiling. To hang your fan where there is an existing fixture but no ceiling joist, you may need to install a hanger bar as shown in Fig. 4.



Hanging the fan

WARNING: Please use all of the parts hardware and components provided by Wind River. The use of other parts, hardware or components not supplied by Wind River with the fan will void the Wind River Warranty.

REMEMBER to turn off the power. Follow the steps below to hang your fan properly:

Step 1. Attach the mounting bracket to the outlet box with two screws and washers provided with the outlet box. Make sure the mounting bracket is tight and secured. (Fig.5)

Step 2. Loosen the two set screws from the top coupling of the motor assembly. (Fig. 6)

Step 3. Remove hanger ball from downrod assembly by loosening set screw, removing the cross pin, and sliding ball off rod. (Fig. 6)

Step 4. Carefully feed fan wires up through the downrod (Fig. 6). Screw the downrod into the coupling. Insert the safety bolt through the coupling and attach the nut. Tighten set screws.

Step 5. Slip coupling cover, canopy cover, and canopy onto downrod (Fig.6) Carefully re-install hanger ball onto rod being sure that cross pin is in the correct position, set screws are tight and wires are not twisted.

Step 6. Now lift motor assembly into position and place hanger ball into hanger bracket. Rotate until the check groove has dropped into the registration slot and seats firmly. (Fig. 7) Rod should not rotate if this is done correctly.

Electrical connections

REMEMBER to shut the power off at the circuit breaker or fuse box.

Step 1. Insert Receiver into Hanger Bracket with the flat side of the Receiver facing the ceiling. (Fig. 8)

Step 2. Motor to Receiver Electrical Connections: Connect the WHITE wire from the fan to the WHITE wire marked "TO MOTOR N" from the Receiver. Connect the BLACK wire from the fan to the BLACK wire marked "TO MOTOR L" from the Receiver. Connect the BLUE wire from the fan to the BLUE wire marked "For Light" from the Receiver. (Fig. 9)

Step 3. Receiver to House Supply Wires Electrical connections: Connect the WHITE wire(Neutral) from the outlet box to the WHITE wire marked "AC in N" from the receiver. Connect the BLACK wire(Hot) from the outlet box to the BLACK wire marked "AC in L" from the receiver. Secure all wire connections with the plastic wire nuts provided. (Fig. 9)

Step 4. If your outlet box has a GROUND wire (Green or Bare Copper) connect this wire to the Hanger Ball and Hanger Bracket Ground wires. If your outlet box does not have a Ground Wire, then connect the Hanger Ball and Hanger Bracket Ground Wire together. Secure wire connection with the plastic wire nut provided.

After all splices are made, check to make sure there are no loose strands. As an additional precaution we suggest to secure the plastic wire connectors to the wires with electrical tape.

Finishing the installation

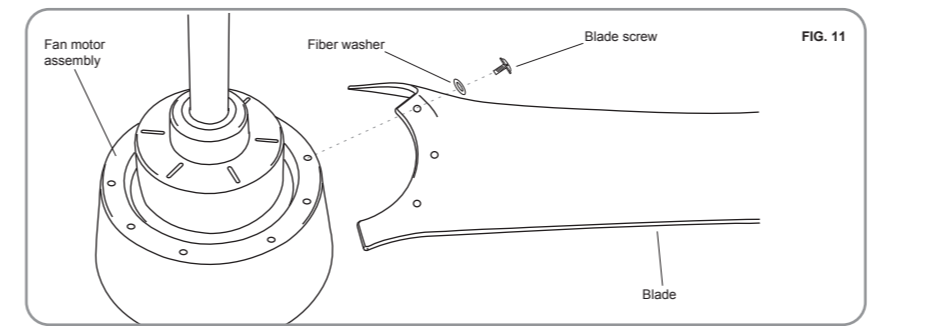
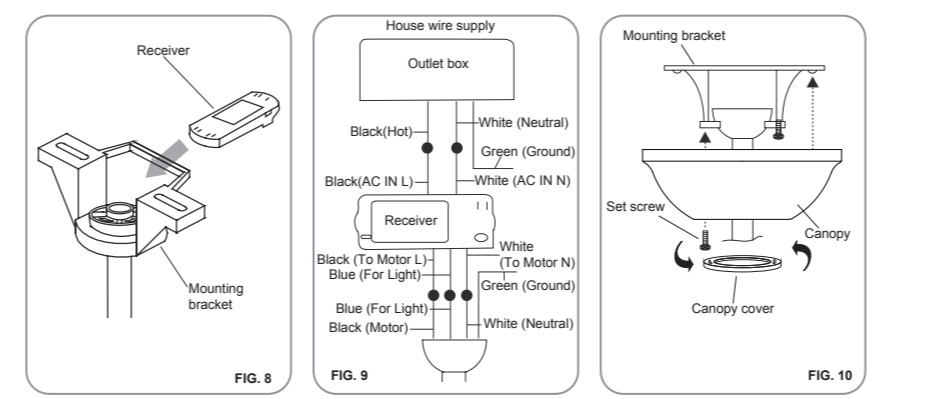
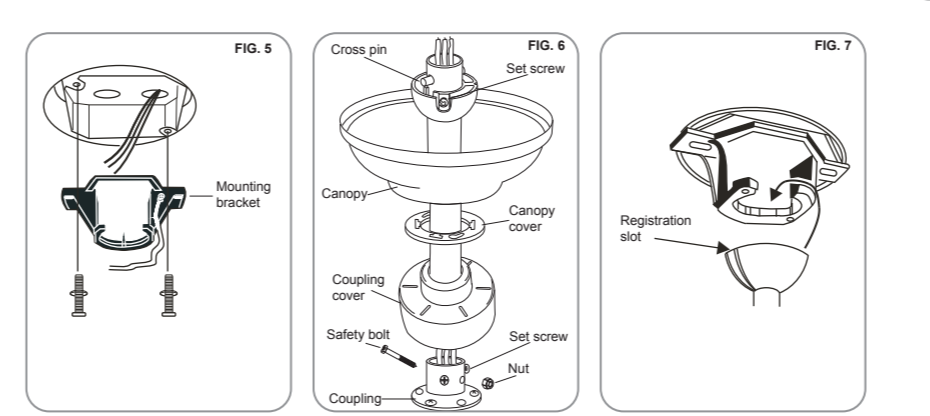
Step 1. Remove one screw from the mounting bracket and loosen the other screw approximately 1/4 turn. Step 2. Carefully raise the canopy up to the mounting bracket, and ensure the loosened screw is inserted into the key hole on the canopy. Rotate the canopy clockwise. (Fig. 10)

Step 3. Secure the canopy by replacing the screw previously removed and tightening the screw previously loosened. (Fig. 10)

Step 4. Place the canopy cover on the canopy, and rotate the canopy cover clockwise until it locks into position. (Fig. 10)

Blade installation

Align the 3 holes on the blade to the fan motor. Secure blade with 3 blade screws and fiber washer provided. Follow the same process for the remaining two blades.



Installing the light kit

Step 1. Remove one of three screws from the fan motor assembly mounting ring and loosen, but do not remove, the other two screws.

Step 2. Place the key holes from the light kit plate over the two screws previously loosened from the fan motor assembly mounting ring. Turn the light kit plate until it locks in place at the narrow section of the key holes. Secure by tightening the two screws previously loosened and the one screw previously removed. (Fig. 12)

Step 3. While holding the 17W LED assembly under your fan, firmly snap the wire connection plugs together. (Fig. 13)

Step 4. Attach the 17W LED assembly to the mounting ring, by twisting tightly.

Step 5. Remove one of three screws from the fan motor assembly 17W LED assembly and loosen, but do not remove, the other two screws.

Step 6. Place the key holes from the light shade over the two screws previously loosened from the 17W LED assembly. Turn the light shade until it locks in place at the narrow section of the key holes. Secure by tightening the two screws previously loosened and the one screw previously removed. (Fig. 14)

Operation

Install a 12V battery into the remote control. To prevent damage to the remote control, remove the battery if not used for long periods of time.

Turn on the power and check the operation of your fan.

a. "On", "Off", and "Light" buttons:
These three buttons are used to select the fan speed. Press and release the button of the desired speed setting:
 (On) = Lowest speed (Off) = Medium speed (Light) = Highest speed

b. "Dimmer" button: This button will turn the light on or off and will also control the brightness setting. Press and release the button and the light will turn on or cycle continuously between bright and dim settings as long as the button is held down. The light key has auto resume, it will stay at the same brightness as the last time it was turned off.

c. "Fan Off" button: This button will turn the fan off.

The reverse switch is located on the switch box. This switch controls directions: forward (switch left) or reverse (switch right).

NOTE: Wait for the fan to stop before reversing the direction of the blade rotation. Warm weather - (Counterclockwise Direction) A downward air flow creates a cooling effect. This allows you to set your air conditioner on a higher setting without affecting your comfort. (Fig 15) Cool weather - (Clockwise Direction) An upward air flow moves warm air off the ceiling. This allows you to set your heating unit on a lower setting without affecting your comfort. (Fig 16)

Care and Cleaning

Check the support connections, brackets, and blade attachments twice a year. Ensure they are secure. Because of the fan's natural movement, some connections may become loose over time. It is not necessary to remove the fan from the ceiling.

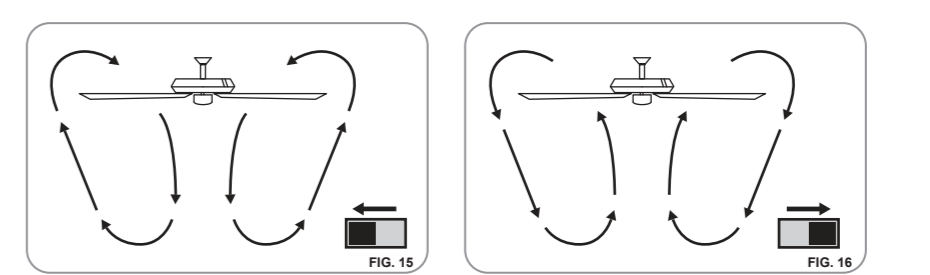
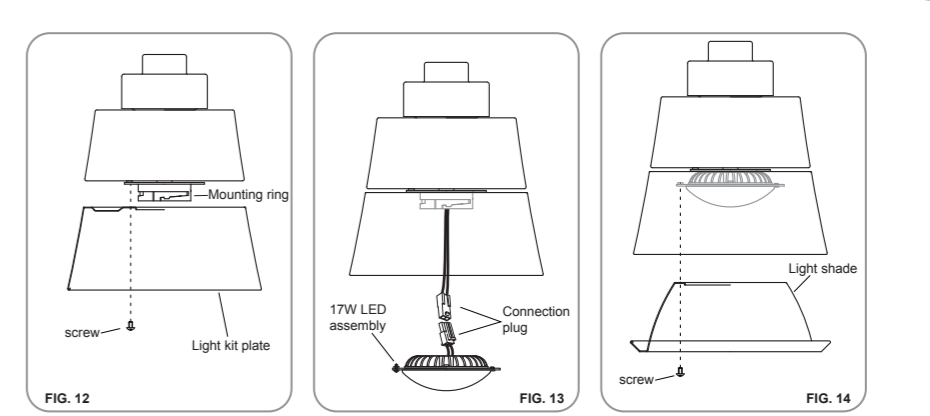
Clean your fan periodically. Use only a soft brush or lint-free cloth to avoid scratching the finish. The plating is sealed with a lacquer to minimize discoloration or tarnishing.

(Optional) Apply a light coat of furniture polish to the wood blades.

(Optional) Cover small scratches with a light application of shoe polish.

Do not use water when cleaning. Water could damage the motor, or the wood, or possibly cause an electrical shock.

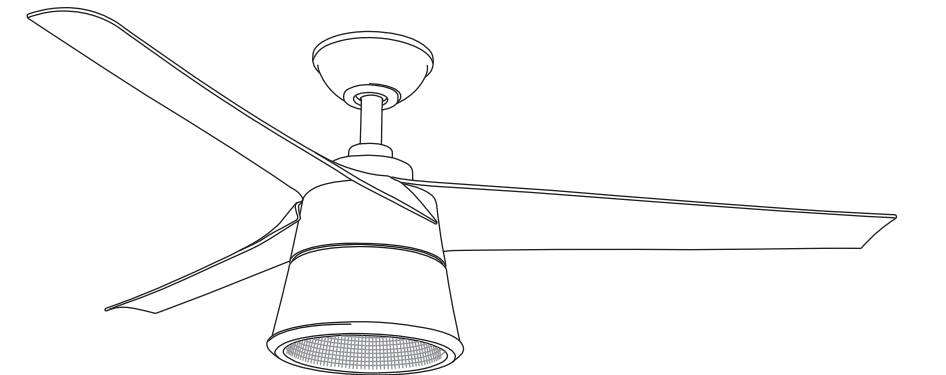
Do not apply oil to your fan or motor. The motor has permanently-lubricated sealed ball bearings.



Troubleshooting

Problem	Solution
The fan will not start.	Check main and branch circuit fuses or breakers. Check line wire connections to the fan and switch wire connections in the switch housing.
The fan sounds noisy.	Make sure all motor housing screws are snug.
	Make sure the screws that attach the fan blade arm to the motor hub are tight.
	Make sure wire nut connections are not rattling against each other or the interior wall of the switch housing.
The fan wobbles.	Allow a 24-hour "breaking-in" period. Most noises associated with a new fan disappear during this time.
	If using the ceiling light kit, make sure the screws securing the glassware are tight. Check that the light bulb is also secure.
	Make sure there is a short distance from the ceiling to the canopy. It should not touch the ceiling.
The fan wobbles.	Make sure your ceiling box is secure and rubber isolator pads are used between the mounting bracket and outlet box.
	Check that all blade and blade arm screws are secure.
	Most fan wobble problems are caused when blade levels are unequal. Check this level by selecting a point on the ceiling above the tip of one of the blades. Measure from a point on the center of each blade to the point on the ceiling. Rotate the fan until the next blade is positioned for measurement. Repeat for each blade. Measurements deviation should be within 1/8 in. Run the fan for 10 minutes.
	Use the enclosed blade balancing kit if the blade wobble is still noticeable.

Lea y guarde estas instrucciones



¿Preguntas, problemas, partes perdidas? Antes de volver a la tienda, llame a nuestro departamento de servicio al cliente al **855-817-WIND (9463)**
8 a.m. - 5 p.m., EST, Lunes-Viernes
E-mail: service@windriver.com



Intertek

WR1638 SERIE

Velocidad	Voltios	Amperios	Vatios	RPM	CFM	N.W.	G.W.	C.F.
Baja	120	0.247	14.8	80	2821	6.63 kgs (14.59 lbs)	7.76 kgs (17.07 lbs)	1.80 ft.
Mediana		0.362	31.2	121	4323			
Alta		0.489	58.4	168	5900			

NOTA: Estas son mediciones aproximadas. No incluyen los Amperios y vatios usado por el juego de iluminación.

340644010241

Règles de sécurité

- Para reducir el riesgo de electrocución, asegurarse de que la electricidad se ha desactivado en el cortacircuitos o caja de fusibles antes de comenzar.
- Todos los cables deben cumplir con el Código Eléctrico Nacional "ANSI/NFPA 70-1999" y los códigos eléctricos locales. La instalación eléctrica debería realizarla un electricista profesional cualificado.
- La caja de distribución y la estructura de soporte deben estar montados de manera segura y deben ser capaces de soportar, de manera confiable, un mínimo de 35 libras (15,9 kilogramos). Usar solamente cajas de distribución listadas por U.L. marcadas "PARA SOPORTE DE VENTILADORES".
- EL ventilador debe estar montado con un mínimo de 7 pies (213cm) de espacio libre desde el borde posterior de las aspas hasta el piso.
- Tras realizar las conexiones eléctricas, los conductores empalmados deberían girarse hacia arriba y meterse con cuidado en la toma de corriente. Los cables deberían separarse con el conductor a tierra y el conductor de tierra del equipo por un lado de la toma de corriente y el conductor no conectado a tierra en el otro lado de la toma de corriente.
- Todos los tornillos deberían ser comprobados y revisados antes de la instalación.

ADVERTENCIA: Por reducir el riesgo de descargas eléctricas o incendios, no utilice este ventilador con ningún controlador de velocidad del ventilador de estado sólido. Por favor, póngase en contacto con el distribuidor o con Wind River llamando al **855-817-WIND (9463)** si utilice el mando de estado sólido a distancia.

ADVERTENCIA: Para reducir el riesgo de fuego, descarga eléctrica o lesiones personales, monte el ventilador a una toma de corriente marcada como compatible para soportar un ventilador con los tornillos incluidos en la toma de corriente.

Contenidos en paquete

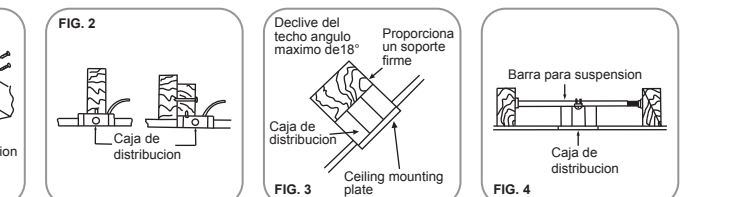
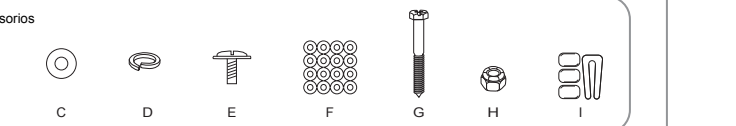
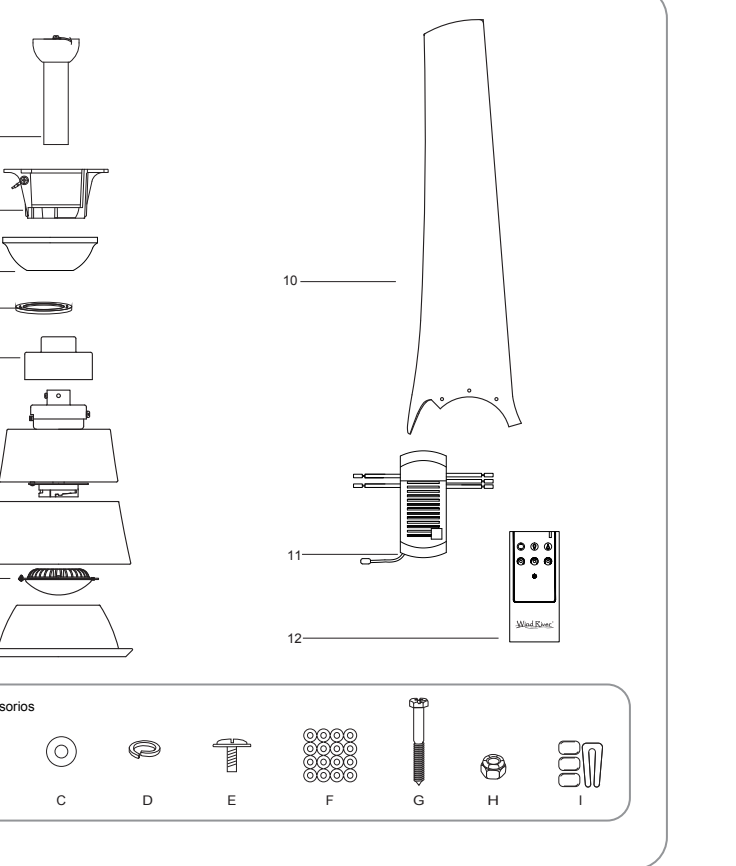
- Desembalar el ventilador y revisar el contenido. Vease pagina 2. Debe tener los siguientes elementos:
- | | |
|--|---|
| 1. Conjunto de varilla (1) | 8. Conjunto LED 17W (1) |
| 2. Soporte de montaje (1) | 9. Pantalla de lámpara (1) |
| 3. Tapa de cubierta (1) | 10. Hoja (3) |
| 4. Tapa de cubierta (1) | 11. Receptor con 6 tuercas de alambre (1) |
| 5. Cubierta de acoplamiento (1) | 12. Transmisor con portatransmisores + 2 tornillos de montaje + batería A23 de 12 voltios (1) |
| 6. Conjunto de motor de ventilador (1) | |
| 7. Placa de juego de luz (1) | |

13. El bolso de accesorios incluye:
 A: Tornillo de máquina (2) B: Tornillo de madera (2) C: Arandela de metálica (2)
 D: Arandela de seguridad (2) E: Tornillo de hoja (10) F: Arandela de fibra (10)
 G: Perno de seguridad (1) H: Tuerca (1) I: Conjunto de balanceo (1)

Comenzando la instalacion

Herramientas necesarias: Un desarmador plano, un desarmador de cruz, cortadoras de alambre, cinta aislante.

OPCIONES DE MONTAJE
 Si no existe una caja de distribución instalada, siga las siguientes instrucciones. Desconecte la energía eléctrica apagando los interruptores del circuito o sacando los fusibles. Asegure la caja de distribución directamente en la estructura del edificio. Use los soportes y materiales de construcción apropiados. La caja de distribución y soporte deben ser capaces de soportar todo el peso en movimiento del ventilador (mínimo de 35 libras). Use una caja de metal que esté aprobada por UL marcada "Acceptable for Ceiling Fan Support". No use cajas de distribución de plástico. Las ilustraciones 1, 2 y 3 muestran alternativas diferentes para montar la caja de distribución. Nota: Por favor, póngase en contacto con el distribuidor o con Wind River en el **855-817-WIND (9463)** si necesita una varilla regulable más larga para mantener la holgura adecuada de las palas cuando lo instale en un techo inclinado. Para colgar su ventilador donde anteriormente había una lámpara pero no hay viga, podría necesitar instalar una abrazadera de soporte como se muestra en la ilustración 4.



Colgando el ventilador

- Advertencia:** Utilice todas las piezas metálicas y componentes proporcionados por Wind River. El uso de otras piezas metálicas o componentes no suministrados por Wind River con el ventilador, se anulará la Garantía de Wind River.
RECORDAR: Apagar la energía eléctrica en el circuito principal o en la caja de fusibles.
 Paso 1. Fije el soporte de montaje en la caja de salida por los dos tornillos y las arandelas proporcionados con la caja de salida. Asegúrese de que el soporte de montaje se apriete bien y firmemente. (Fig.5)
 Paso 2. Añaje los dos tornillos de fijación del acoplamiento del conjunto del motor del ventilador del motor. (Fig. 6)
 Paso 3. Quite la bola de suspensión de la varilla por aflojando el tornillo de fijación de la bola de suspensión, y quitando el pasador transversal, entonces deslizando la bola de suspensión fuera de la varilla. (Fig. 6)
 Paso 4. Proporcione los cables del ventilador a través de la varilla cuidadosamente. (Fig. 6). Atornille la varilla en el acoplamiento del conjunto del motor del ventilador. Inserte el perno de seguridad en el acoplamiento y la varilla e instale la tuerca. Apriete bien. Entonces apriete los tornillos de fijación.
 Paso 5. Deslice la cubierta de acoplamiento, la tapa de cubierta, y la tapa en la varilla (Fig. 6) Y vuelva a instalar la bola de suspensión cuidadosamente en la varilla, entonces por favor asegúrese de que el pasador transversal esté en la posición correcta, los tornillos de fijación estén apretados, y los alambres no sean torcidos.
 Paso 6. Levante el conjunto del motor del ventilador en la posición, y coloque la bola de suspensión en el soporte de montaje. Gire el conjunto del motor del ventilador hasta que la ranura de prueba estén en la ranura de registro y lo coloque firmemente. (Fig. 7) Debe girar la varilla en caso de falla operación.

Conexiones eléctricas

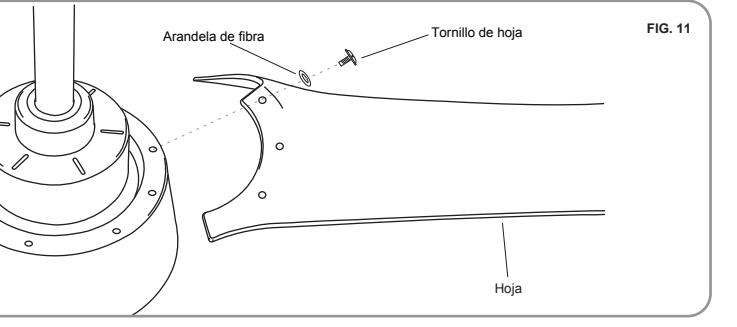
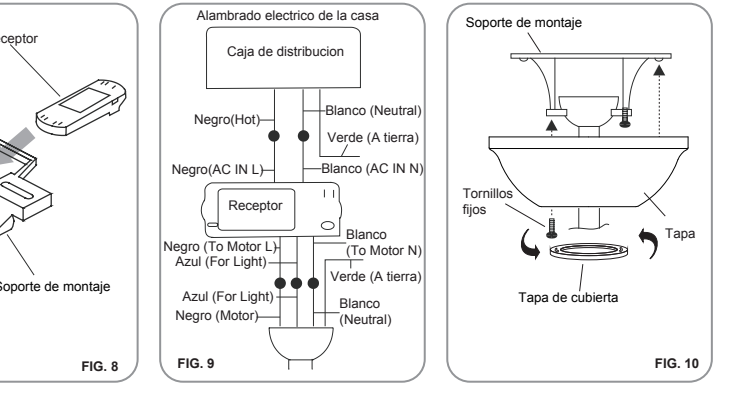
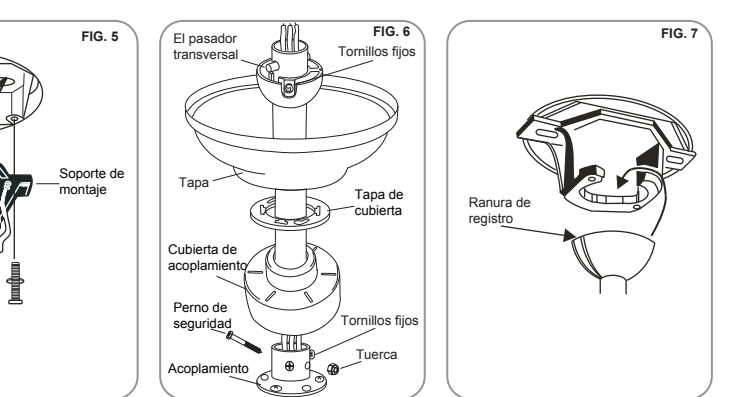
- RECORDAR** no se olvide de desconectar la energía eléctrica en el circuito principal o en la caja de fusibles.
 Paso 1. Inserte el receptor en soporte de suspensión con la cara plana del receptor dando al techo. (Fig. 8)
 Paso 2. Conexiones de motor a receptor de eléctrico: Conecte el cable blanco del ventilador al cable NEGRO marcado "TO MOTOR N" del receptor. Conecte el cable NEGRO del ventilador al cable NEGRO marcado "TO MOTOR L" del receptor. Conecte el cable azul del ventilador con el cable AZUL marcado "FOR LIGHT" en el receptor. (Fig. 9)
 Paso 3. Conexiones eléctricas de receptor y cables : Conecte el cable BLANCO (neutral) de la caja de salida para el cable BLANCO marcado "AC in N" del receptor. Conecte el cable NEGRO (caliente) de la caja de salida para el cable NEGRO marcado "AC in L" del receptor. Asegure todas las conexiones de cable con las tuercas proveídas. (Fig. 9)
 Paso 4. Si su caja de salida tiene un cable de toma a tierra (verde o de cobre desnudo) conecte este cable a la bola de suspensión y cables a Tierra de Soporte de Suspensión. Si su caja de salida no tiene un cable de toma a tierra, pues conecte la bola de suspensión y el Cable de Tierra de Soporte de Suspensión juntos. Asegure la conexión de cable con tuercas proveídas. Después de todos los empalmes, asegúrate de que no hay filamentos sueltos. Como precaución adicional le sugerimos asegurar los conectores plásticos a los cables con cinta aislante.

Terminando la instalacion

- Paso 1. Quite un tornillo del soporte de montaje y añaje el otro tornillo por 1/4 de vuelta más o menos.
 Paso 2. Levante la tapa con mucho cuidado al soporte de montaje, y comprueba que el tornillo aflojado haya insertado en el agujero de la llave en la tapa. Gire la tapa en sentido horario. (Fig. 12)
 Paso 3. Fije la tapa por reemplazando el tornillo previamente quitado y apretando el tornillo previamente aflojado. (Fig. 10)
 Paso 4. Coloque la cubierta de tapa en la misma y gire la cubierta de tapa en el sentido de la aguja del reloj hasta que él bloquee en su posición. (Fig. 10)

Instalación de las hojas

- Paso 1. Inserte las hojas a través de las ranuras encima del conjunto del motor del ventilador (Fig.11)
 Paso 2. Fije las hojas del ventilador en el conjunto del motor del ventilador por utilizando los tornillos de hoja y la arandela de fibra, entonces los aprieten fuertemente.
 Paso 3. Repita el paso para las otras hojas.



Instalar el luz

- Paso 1. Quite uno de los tres tornillos del anillo de montaje del conjunto del motor del ventilador y afloje, pero no saque, los otros dos tornillos.
 Paso 2. Coloque los agujeros de llave de la placa de juego de luz encima de los dos tornillos aflojados previamente del anillo de montaje del conjunto del motor del ventilador. Gire la placa de juego de luz hasta que él bloquee en el lugar en la sección estrecha de los agujeros de llave. Los fije por apretando los dos tornillos aflojados previamente y un tornillo sacado previamente. (Fig.12)
 Paso 3. Sosteniendo la conjunto LED 17W bajo el ventilador, se encajan las clavijas de conexión de cables. (Fig.13)
 Paso 4. Coloque la conjunto LED 17W a la placa anillo de montaje, y lo gitando con fuerza.
 Paso 5. Quite uno de los tres tornillos del conjunto LED 17W y afloje, pero no saque, los otros dos tornillos.
 Paso 6. Coloque los agujeros de llave de la pantalla de lámpara encima de los dos tornillos aflojados previamente del conjunto LED 17W. Gire la pantalla de lámpara hasta que él bloquee en el lugar en la sección estrecha de los agujeros de llave. Los fije por apretando los dos tornillos aflojados previamente y un tornillo sacado previamente. (Fig.14)

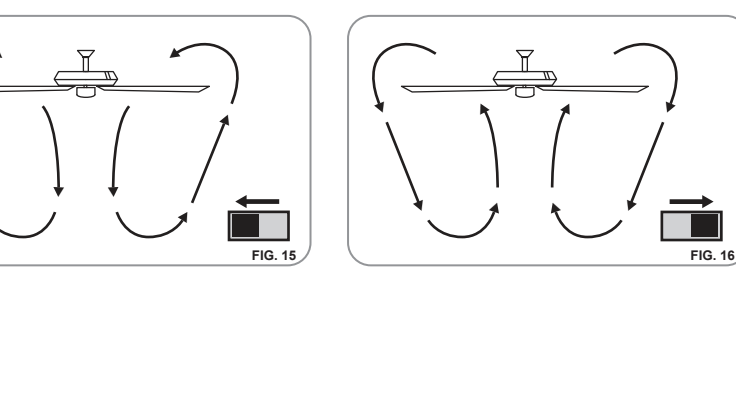
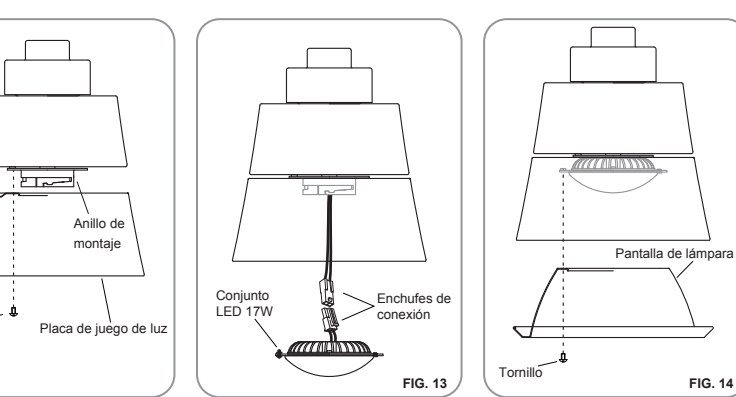
Operación

- Instale una batería de 12V en el control remoto. Para evitar los daños del control remoto, por favor quite la batería si no la utiliza por un largo tiempo. Encienda la fuente eléctrica y verifique la operación del ventilador.
 a. Interruptor " " " " " " " " " : Estos interruptores seleccionan la velocidad de la manera siguiente:
 ☺ = Velocidad Baja ☻ = Velocidad Mediana ☼ = Velocidad Alta
 b. Interruptor " " " : Estos interruptores prenden, apagan y controlan la intensidad de la luz. Para prender o apagar la lampara oprima y suelte el interruptor de la lampara deseada. Para cambiar la intensidad de la luz oprima y sostenga el interruptor. La luz mantendrá un ciclo continuo entre la luz mas intensa y la luz mas baja mientras el interruptor se mantenga oprimido. La luz se mantendrá a la misma intensidad que la ultima ves que la uso.
 c. Interruptor " " " : Este interruptor apaga el ventilador.

El interruptor inverso se situa en la superficie de la caja del interruptor. Las direcciones de controles de interruptor: delantera (interruptor izquierda) o inversa (interruptor derecho).
NOTA: Espere la parada del ventilador antes de invertir la dirección de la rotación de hoja. Clima cálido - (Adelante) Una corriente de aire descendente crea un efecto refrescante como se muestra en. Esto le permite ajustar su aire acondicionado en un mayor ajuste sin que ello afecte su comodidad. (Fig 15)
 Clima Frío - (Inversa) Un flujo de aire mueve el aire caliente hacia arriba fuera de la zona límite, como se muestra en. Esto le permite configurar su unidad de calefacción en un ajuste más bajo sin afectar a su comodidad. (Fig 16)

Cuidado y Limpieza

Verifique las conexiones de soporte, soportes y equipos de hoja dos ves por un año. Y asegúrese de fijarlos bien. Debido al movimiento natural del ventilador, unas conexiones puedan aflojarse por un tiempo. No es necesario de quitar el ventilador del techo. Limpie el ventilador periódicamente. Sólo utilice un paño suave o libre de hilas para evitar la rascadura del acabado. El revestimiento se selle con barniz para minimizar la decoloración o deslustre. (Opcional) Aplique una capa ligera de lustre de mueble en las hojas de madera. (Opcional) Cubra las rascaduras pequeñas con unos lustres de zapatos. No pueda utilizar aguas a la limpieza. El agua pueda dañar el motor, la madera o causar un choque eléctrico posiblemente. No pueda aplicar aceite en el ventilador o el motor. Los rodamientos de bolas del motor han sido lubricados permanentemente.



Solución de averías

Problema	Solución
El ventilador no funciona	Revisar los fusibles o interruptores de circuitos. Verificar las conexiones de cables de línea al ventilador y conexiones de cable del interruptor. Asegurarse de que todos los tornillos de la cubierta del motor estén ajustados.
El ventilador emite ruido	Asegurarse de que los tornillos que sujetan el soporte de aspas del ventilador al eje del motor estén apretados.
	Asegurarse de que las conexiones de tuercas para cable no esten rozando unas contra otras o contra la pared interior de la cubierta protectora del interruptor.
	Permitir un periodo de "desgaste" de 24 horas. La mayoría de los ruidos asociados con un ventilador nuevo desaparecen durante este tiempo.
Las oscilaciones de ventilador	Si se está usando un juego opcional de iluminación para el ventilador de techo, asegurese de que los tornillos que aseguran el vidrio estén apretados. Asimismo, verificar que la bombilla esté segura.
	Asegurarse de que el escudete superior esté a una corta distancia del techo. No debe hacer contacto con el techo.
	Asegúrese de que la caja del techo esté fija y que las almohadillas aislantes de goma estén colocadas entre el soporte de montaje y la toma de corriente.
	Verifique si todas las hojas y los tornillos de brazo de hoja sean fijados. La mayoría de los problemas sobre la oscilación es causada cuando los niveles de hoja son irregulares. Verifique que el nivel por seleccionando un punto del techo encima del extremo de una de las hojas. Y tome la medidas desde un punto en el centro de caja hoja al punto del techo. Gire el ventilador hasta que la hoja siguiente sea situada para la medida. Repite por caja hoja. La desviación de las medidas debe estar dentro de 1/8 pulgadas. Y funcione el ventilador por diez minutos. Utilice el conjunto de balanceo de hoja adjuntivo si la oscilación de hoja todavía es notable.